

## Index

①	Aguapure 100	2
②	Aguapure 200	2
③	Lara APS	3
④	P-Pump	4
⑤	Aspendose	5
⑥	Tank for chemical	6
⑦	Tank with mixer	6
⑧	Glass Sensor	7
⑨	AguaCon	8
⑩	Poolsaver Tetra	10
⑪	System 02 Aguatra	11
⑫	System 01 OmniCon	12
⑬	Suction Kit	13
⑭	Photometer	14
⑮	Watersoftner	15
⑯	Watercontroller for public pools	16



1

## Aguapure 100

Membrane salt electrolysis system 100

### Technical Data

- Proportional controlled electrolysis process
- Automatic and with multiple sensors secured dosing process
- Safe and electrically isolated operation
- Universal input control: pulse or dosing pump behavior, 4-20mA, bus compatible with AguaCon
- Generates high quality pure chlorine-oxygen compounds as disinfectant

Stock Code	Model	Explanation
AG100 321	AGUAPURE 100	Membrane salt electrolysis system 15A / 24A



2

## Aguapure 200

Membrane salt electrolysis system 200

### Technical Data

- Proportional controlled electrolysis process
- Automatic and with multiple sensors secured dosing process
- Safe and electrically isolated operation
- Universal input control: pulse or dosing pump behavior, 4-20mA, bus compatible with AguaCon
- Generates high quality pure chlorine-oxygen compounds as disinfectant

Stock Code	Model	Explanation
AG 200 322	AGUAPURE 200	Membrane salt electrolysis system 30A / 48A



3

## LARA APS

Analog Liquid Level Controlled  
& 1/10 Adjusted Dosing Pump

### Technical Data

- Adjustable stroke rate via the potentiometer on the device
- Liquid level control and 1/10 adjustment button
- Easy and flexible installation and usage by the vertical mount design
- High resistance to corrosive chemicals with the PVDF Pump Head and entire IP65 body
- Electronic circuit controlled electromagnet and long lasting Teflon (PTFE) diaphragm
- Lesser Maintenance by ceramic ball design
- Suction and injection parts included

Stock Code	Model	L/h	Max. Counter Pressure/Bar	Package Sizes/cm W-L-H	Packed Weight/Kg
301302010101000	DP LARA APS 2L/10B V220FAT	2	10	23 x 28 x 21	3,00
301305007101000	DP LARA APS 5L/7B V220FAT	5	7		
301310005101000	DP LARA APS 10L/5B V220FAT	10	5		
301302020101000	DP LARA APS 2L/20B V220FAT	2	20		

### Standard Box Content



Stock Code : 600110800110000  
Stock Name: SUCTION KIT 4X6 V



Stock Code : 600110700311000  
Stock Name: INJECTION KIT 4X6 V



Stock Code : 600110500100000  
Stock Name: PIPE KIT V  
Stock Code : 600110400200000  
Stock Name: MOUNTING KIT DP

#### ACCESSORIES

Not Included to Standard Box



Stock Code : 600110800131000  
Stock Name: SUCTION 4X6 PS  
Stock Code : 600110700313000  
Stock Name: INJECTION KIT 4X6 P



4

## P-Pump

### Analog Dosing Pumps

#### Technical Data

- Its stroke value can be adjusted with potentiometer existing on
- Friendly and flexible installation and use due to vertical mounting design
- All plastic enclosure guarantee durable against to corrosive chemicals
- Electronic circuit controlled electromagnet and long Teflon (PTFE) Membrane
- Less maintenance with ceramic marble design
- With suction and injection line appliances

Stock Code	Model	L/h	Max. Counter Pressure/Bar	Package Sizes/cm W-L-H	Packed Weight/Kg
421524202302000	TECHDOSE0223PV200MA205	24	1,5	33x28x19	4,50
421524200608000	TECHDOSE0806PV200MA205	7,2	8		
421524200210000	TECHDOSE1002PV200MA205	3,12	10		
421524200316000	TECHDOSE1603PV200MA205	2,1	16		

### SPARE PART KIT STOCK CODES

Kits contains the following wearing or spare parts: 1 suction valve, complete; 1 discharge valve, complete; 1 set of seals; 2 valve balls; 1 diaphragm; 1 set of connection parts.

Kit Stock Code	Kit Model For	Kit Includes
9070059	TECHDOSE0223PV200MA205	1 suction valve, complete; 1 discharge valve, complete; 1 set of seals; 2 valve balls; 1 diaphragm; 1 set of connection parts.
1023111	TECHDOSE0806PV200MA205	1 suction valve, complete; 1 discharge valve, complete; 1 set of seals; 2 valve balls; 1 diaphragm; 1 set of connection parts.
1023110	TECHDOSE1002PV200MA205	1 suction valve, complete; 1 discharge valve, complete; 1 set of seals; 2 valve balls; 1 diaphragm; 1 set of connection parts.
1023109	TECHDOSE1603PV200MA205	1 suction valve, complete; 1 discharge valve, complete; 1 set of seals; 2 valve balls; 1 diaphragm; 1 set of connection parts.

5

## ASPENDOSE

### Analog Peristaltic Dosing Pump



#### Technical Data

- Adjustable Flow Rate
- Rapid Button
- PP- IP 65 Chemical Resistant Body
- On-Off Button
- Long-lasting roller system
- Chemical Discharge Tip
- ph-Chlorine(A), Rinse Aid(R) and Detergent(D) model options
- Easy mount and dismount via back lid slider

#### Stock codes and names for the box content

- |   |  |
|---|--|
| ① Stock Code :600110800140000<br>Stock Name:SUCTION KIT 4X6 PER                 | ② Stock Code :600110700311000<br>Stock Name:INJECTION KIT4 x 6 V             |
| ③ Stock Code :600110800100000<br>Stock Name:SUCTION KIT 4X6 ASPENDOSE           | ④ Stock Code :600110700113100<br>Stock Name:INJECTION KIT ASPENDOSE 4X6 PVDF |
| ⑤ Stock Code :600110700211100<br>Stock Name:INJECTION KIT METAL 4X6 V ASPENDOSE | ⑥ Stock Code :500010066120000<br>Stock Name:Nozzle Kit For Pipe ASPENDOSE    |
| ⑦ Stock Code : 600110500000000<br>Stock Name: PIPE KIT 4X6 ASPENDOSE            | ⑧ Stock Code :600110400800000<br>Stock Name: PIPE KIT ASPENDOSE              |

Stock Code	Model	L/h	Max. Counter Pressure/Bar	Package Sizes/cm W-L-H	Packed Weight/Kg
340051005101000	ASPENDOSE A 5,1L/0,5B A 220AT	5,1	0,5	20x15x13	0,90

#### Standard Box Content



A (pH-CL) model box content



6

## TANKS FOR CHEMICALS

### Technical Data

- High resistance for acids and other chemicals with polyethylene body
- Rivetless, monoblock structure
- Uv stabilized, no effect from sunlight, no bacteria cultivation material and technology.

Stock Code	Model	Description	Package Sizes/cm W-L-H	Packed Weight/Kg
331006300200100	TIP63INOX	380 V AC, 0,18 kW, Shaft Length 75 cm, 4 bladed, Fan Diameter 10 cm, inox shaft and fan, 1400 rpm Fast Mixer	22x104x22	7,55

Stock Code	Model	Description	Body Dia. mm	Height cm	Cover Dia. mm
421510410900120	KL 100 LT	Monoblock Polyethylene 100 Lt Chemical Tank	41	90	12
421510501010120	KL 200 LT	Monoblock Polyethylene 200 Lt Chemical Tank	50	101	12



7

## TANKS WITH MIXER

### Technical Data

- Desired mixer can be mounted on KL100 or KL200 chemical tanks.
- Installation cost will be provided by supplier



8

## GLASS SENSOR

### Sensor Description

- Standard Glass electrode with annular ceramic diaphragm for great performance

### Application Area

- Thanks to glass shaft; suitable for laboratory, drinking water, general water treatment applications and swimming pool technology

### Additional Features

- Glass electrode with PG 13.5 thread
- Black S7 Connector
- Glass body with standard 12mm diameter and 120mm length

Stock Code	Model	Explanation
421000050002020	pH A-S7 GLASS SENSOR	pH A-S7 GLASS SENSOR
421000150002010	ORP A-S7 GLASS SENSOR	ORP A-S7 GLASS SENSOR
421501000000230	SENSOR CABLE S7 - BNC 1,5 MT	SENSOR CABLE S7

### pH Technical data

<b>pH Range</b>	: 0-14
<b>Sensor Body</b>	: Glass
<b>Pressure Range</b>	: <6 Bar
<b>Cable Connection</b>	: Male S7 Connector
<b>Connection Thread</b>	: PG 13.5
<b>Diaphragm</b>	: Annular Ceramic
<b>Shaft Length</b>	: 120 mm
<b>Diameter</b>	: 12 mm
<b>Temperature Range</b>	: 0 - 80°C
<b>Minimum Conductivity</b>	: 100 µS/cm
<b>Reference Gel</b>	: Ag / AgCl
<b>Gel Filled</b>	: Saturated KCL & AgCl

### ORP Technical data

<b>Measuring Range mV</b>	: -2000mV ~2000mV
<b>Sensor Body</b>	: Glass
<b>Measuring Element</b>	: Ø2.5mm Pt sensing disc
<b>Pressure Range</b>	: < 6 Bars
<b>Cable Connection</b>	: Male S7 Connector
<b>Connection Thread</b>	: PG 13.5
<b>Diaphragm</b>	: Annular Ceramic
<b>Shaft Length</b>	: 120 mm
<b>Diameter</b>	: 12 mm
<b>Temperature Range</b>	: 0-80°C
<b>Gel Filled</b>	: Saturated KCL and AgCl
<b>Reference Gel</b>	: Ag / AgCl



9

## AguaCon

### Features

- AguaCon, thanks to its flexible structure, gives opportunity of measurement and controlling for the defined parameters according to the process by user with only a single device. AguaCon can do the job only by itself that two or more devices are needed in same process.
- Single parameter, 2 parameters, 3 parameters and multiparameter (up to 6 parameters) device options.
- 100-230V AC and 12 DC power supply compatible.
- Graphic LCD Screen, adjustable light, contrast and volume.
- Liquid level, flow rate, counter and external alarm inputs.
- 16-bit RISC micro controller, real time clock.
- 3 level password protection.
- 2048 number of log memory. Logs can be viewed as list and graphic.
- User friendly menu system less manual reading needed, English and Turkish optional.
- 5 different type of calibration option, automatic liquid identification and temperature compensation.
- Programmable relay outputs (Reduce, Boost, PID Reduce, PID Boost, Limit Switch, Pulse Width)
- Programmable counter input (Lt, m3 and number countable), printer, AguaCon Visio and Info Panel Connection
- Optionally adjustable 4-20mA and 0-20mA analog output by up to 4 different user
- Optionally 4 different 4-20 mA Analog output
- Optionally, device supports wide range of communication protocol.

### Parameters

- ▶ pH
- ▶ Redox
- ▶ Conductivity
- ▶ TDS
- ▶ Free Chlorine
- ▶ Total Chlorine
- ▶ Combined Chlorine
- ▶ Dissolved Oxygen
- ▶ Chlorine Dioxide
- ▶ Hydrogen Peroxide
- ▶ Ozone
- ▶ Paracetic Acid
- ▶ Turbidity
- ▶ Humidity
- ▶ Temperature





Stock Code	Model	Description	Package Sizes/cm W-L-H	Packed Weight/Kg
430603010100300	AguaCon PH ORP TEMP AN ETH	PH ORP MEASUREMENT AND CONTROLLING DEVICE TEMPRATURE & AN OUT MODULE & ETHERNET FEATURES INCLUDED	27 x 30 x 13	1,65
430603010100400	AguaCon PH ORP FCL TEMP AN ETH	PH ORP FCL MEASUREMENT AND CONTROLLING DEVICE TEMPRATURE & AN OUT MODULE & ETHERNET FEATURES INCLUDED		

Stock Code	Model	Description	Package Sizes/cm W-L-H	Packed Weight/Kg
201010000000000	AguaCon PH	PH MEASUREMENT AND CONTROLLING DEVICE	27 x 30 x 13	1,65
201001000000000	AguaCon ORP	ORP MEASUREMENT AND CONTROLLING DEVICE		

Stock Code	Model	Description	Package Sizes/cm W-L-H	Packed Weight/Kg
201011000000000	AguaCon PH-ORP	PH& ORP MEASUREMENT AND CONTROLLING DEVICE	27 x 30 x 13	1,95
201010100000000	AguaCon PH-CON	PH& CONDUCTIVITY MEASUREMENT AND CONTROLLING DEVICE		
201010010000000	AguaCon PH-FCL	PH& FREE CHLORINE MEASUREMENT AND CONTROLLING DEVICE		

Stock Code	Model	Description	Package Sizes/cm W-L-H	Packed Weight/Kg
201011100000000	AguaCon PH-ORP-CON	PH& REDOX & CONDUCTIVITY MEASUREMENT AND CONTROLLING DEVICE	27 x 30 x 13	2,00
201011010000000	AguaCon PH-ORP-FCL	PH& REDOX & FREE CHLORINE MEASUREMENT AND CONTROLLING DEVICE		

■ **FCL:** Free chlorine - **TCL:** Total Chlorine -**CCL:** Combined Chlorine

- ▶ **Single parameter controller comes with 1010 body , module addition is possible up to 3 modules of the same parameter.**
- ▶ **Multi-parameter controller comes with 1020 body.**



10

## Pool saver Tetra

### Features

- Digital pH (0,00 – 14,00) and ORP (0 – 1600mV) measurement and control device
- Two relay outputs
- Completely digital adjustment and automatic calibration by using buffer solutions thus eliminates the needs to use screwdriver or any other tools
- Thanks control, it solution for every size of swimming pool
- High resistance with IP 65 plastic body to corrosive chemicals
- Two liquid level control input.
- User password.

### Technical Data

■ Power supply  
220VAC, 50 Hz

■ pH  
0.00 - 14.00 pH Measurement Range  
Resolution: 0.01pH

■ ORP  
0000 - 1600mV Measurement Range  
Resolution: 1mV

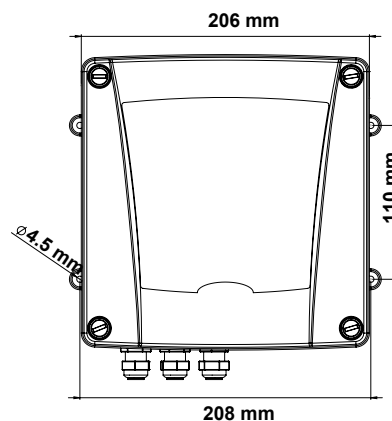
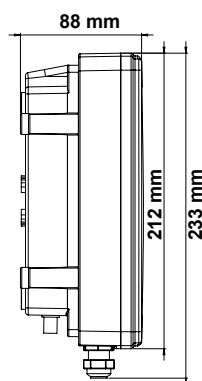
#### Inputs

2x Liquid Level Sensor, 1x Flow Sensor (NO-NC)

#### Outputs

2x 2,5A(Max 5A) 220VAC relay outputs  
(Reduce Control, Boost Control, Proportional Reduce Control, Proportional Boost Control)

Stock Code	Model	Description	Package Sizes/cm W-L-H	Packed Weight/Kg
20110000	Agua Tra	PH& ORP MEASUREMENT AND CONTROLLING DEVICE	27 x 30 x 13	1,58



SISTEM 02 AG FC



SISTEM 02 AG DP ASP FC



SISTEM 02 AG DP LR FC



SISTEM 02 AG DP P FC



11

## SYSTEM 02 Aguatra

### Technical Data

- All connection components mounted situation on 60x90 panel Agua Tra
- Dirt holder pre-filter, flow switch and electrode flow cell
- Input-Output and sample taking valve
- Calibration stand
- Glass pH and ORP electrode
- Buffer solutions for pH and ORP

Stock Code	Model	Explanation
102000	SISTEM 02 AG FC	Without pump
102100	SISTEM 02 AG DP ASP FC	With 1 peristaltic pump
102200	SISTEM 02 AG DP LR FC	With 1 Lara APS pump
102300	SISTEM 02 AG DP P FC	With 1 P-Pump

SISTEM 01 AG



SISTEM 01 AG DP ASP



SISTEM 01 AG DP LR



SISTEM 01 AG DP P



12

## SYSTEM 01 AguaCon

### Technical Data

- All connection components mounted situation on 60x90 panel AguaCon pH - ORP
- Dirt holder pre-filter, flow switch and electrode flow cell
- Input-Output and sample taking valve
- Calibration stand
- S7 connector glass pH and ORP electrode
- Buffer solutions for pH and ORP

Stock Code	Model	Explanation
10102000	SISTEM 01 AG	AguaCon pH & Redox Without pump
10102100	SISTEM 01 AG DP ASP	AguaCon pH & Redox & Peristaltic Pump
10102200	SISTEM 01 AG DP LR	AguaCon pH & Redox & Lara Pump
10103000	SISTEM 01 AG DP P	AguaCon pH & Redox & P-Pump
10103000	SISTEM PH ORP FCL SELECTIVE AG	AguaCon pH & Redox & FCL Without pump

SISTEM PH ORP FCL SELECTIVE AG



Stock Code	Model	Explanation
430601010103000	SISTEM PH ORP FCL SELECTIVE AG	OmniCon pH & Redox FCL Selective System Without pump



13

## SUCTION KIT



### Technical Data

- Suction kit with level sensor



Stock Code	Model	Explanation
110800121	4X6 ES	SUCTION KIT PP EPDM WITH LEVEL SENSOR
110800111	4X6 VS	SUCTION KIT PP VITON WITH LEVEL SENSOR
110800131	4X6 PS	SUCTION KIT PVDF VITON WITH LEVEL SENSOR
110800151	4X6 EPS	SUCTION KIT PVDF EPDM WITH LEVEL SENSOR

14

## PHOTOMETER



### PARAMETERS

- CHLORINE (FREE/COMBINED/TOTAL)
- PH-VALUE
- ALKALINITY (ACID CAPACITY)
- CYANURIC ACID (STABILIZER)
- ACTIVE OXYGEN (MPS)\*
- BROMINE \*\*
- CHLORINE DIOXIDE\*\*
- OZONE\*\*
- HYDROGEN PEROXIDE\*
- HARDNESS (TOTAL, CALCIUM)\*

\*requires reagents not included in basic kit

\*\*requires Glycine reagent tablets if chlorine is present  
Glycine reagent tablets are not included in the basic kit

pH - range 6.50 - 8.40 pH

Chlorine (free/combined/total) - range 0.00 - 6.00 mg/l (ppm)

Alkalinity (Acid Capacity) - range 0 - 300 mg/l (ppm) CaCO<sub>3</sub>

Cyanuric Acid (Stabilizer) - range 0 - 160 mg/l (ppm)

Active Oxygen (MPS) - range 0.0 - 30.0 mg/l (ppm)\*

Bromine - range 0.0 - 13.5 mg/l (ppm)\*\*

Chlorine Dioxide - range 0.0 - 11.4 mg/l (ppm)\*\*

Ozone - range 0.00 - 4.00 mg/l (ppm)\*\*

Hydrogen Peroxide - range 0.00 - 2.90 mg/l (ppm)\*

Hardness (Total, Calcium) - range 0 - 500 mg/l (ppm)\*

### CONTENT

Basic Kit:

- 1 x Photometer 1.0 with Bluetooth 4.0
- IP68 waterproof
- 1 x Transparent plastic case
- 1 x Light shield
- 1 x Plastic stirring rod
- 1 x 10ml syringe
- 3 x AAA batteries
- 1 x manual
- Free access to software
- Free access to app
- Free access to cloud

### FEATURES

- BLUETOOTH UPPED
- FREE CLOUD SPACE
- IP68 WATERPROOF
- POWERFUL APP AND SOFTWARE
- 6 BUTTONS FOR DIRECT ACCESS
- FIXED BUT CHANGEABLE CUVETTE

Stock Code	Model	Stock Code	Model
231000000	PHOTOMETER 1.0 POOL	421055200500100	PHOTOMETER ALKANITE REAGENT 50 TABLETS
522005001	PHOTOMETER DPD1 REAGENT 50 TABLETS	421053200500100	PHOTOMETER CYA REAGENT 50 TABLETS
562005001	PHOTOMETER PHENOL RED REAGENT 50 TABLETS	421071000000100	PHOTOMETER 1.0 REPLACEMENT BOX
610000004	PHOTOMETER DPD3 TABLET 50 TABLETS	421071000000200	PHOTOMETER 1.0 RUBBER LIGHT SHIELD
610000012	PHOTOMETER CHL. DOIXIDE REAGENT 50 TABLETS	421071000000300	PHOTOMETER 1.0 REPLACEMENT CUVETTE
610000013	PHOTOMETER OZONE REAGENT 50 TABLETS	421071000000400	PHOTOMETER PLASTIC STIRRING ROD
610000014	PHOTOMETER HYD. PEROXIDE REAGENT 50 TABLETS		

## 15 WATERSOFTNER



### ▶ Technical Data

▶ Resine volume	3 L
▶ Connections	3/4 "
▶ Workload	1-8 bar
▶ Flow( $\Delta p$ bar)	Max. 1500 l/h
▶ Exchange capacity	15m <sup>3</sup> /F°
▶ Water consumption / regeneration	18 L
▶ Salt consumption / regeneration	0,33 kg
▶ Duration of regeneration	15 min
▶ Max. temperature	40°C
▶ Content salt reservoir Delta Escalda	15 kg
▶ Content salt reservoir Delta Isera	25 kg

# 16 WATERCONTROLLER FOR PUBLIC POOLS



▶ Flowsensor 80/20



▶ Analog peristaltic dosing pump



▶ Photometric measurement DPD and PH



▶ Module 4-20 mA